

Schottky Diode (SMD Type)

FEATURES

- Plastic package has Underwriters Laboratory Flammability Classification 94V-0 Utilizing Flame Retardant Epoxy Molding Compound
- For surface mounted applications
- Exceeds environmental standards of ML-S-19500/228
- Low leakage current

PART NUMBER

MEK 10 - 04 - DAT
 1 2 3 4

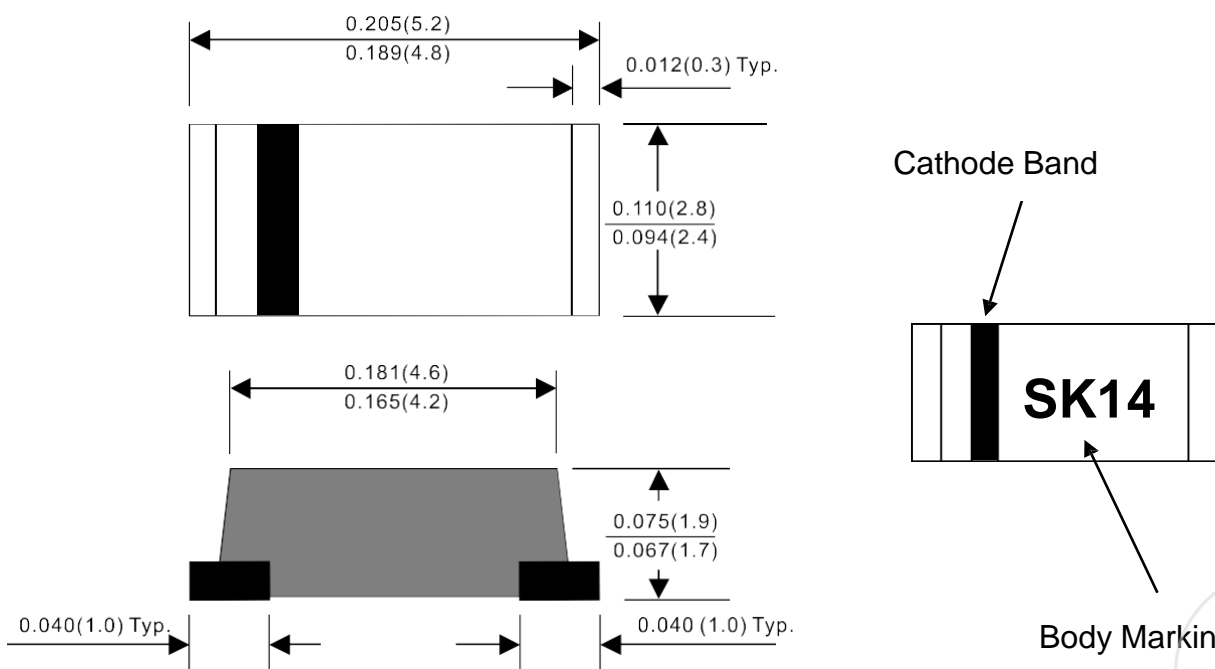
SPECIFICATION

No.	Item	Symbol	Specification
1	Product Series	MEK	Schottky Barrier Rectifier (SMD Type)
2	Forward Current	10	1A
3	Peak Inverse Voltage	04	40V
4	Package	DAT	Thin SMA

DIMENSION

units : inches(mm)

Thin SMA



Schottky Diode (SMD Type)

Mechanical data

- Case: molded plastic, JEDEC DO-214AC
- Terminals: Solder plated, solder able per ML-STD-750, Method 2026
- Polarity: Indicated by cathode band
- Mounting Position: Any
- The soldering temperature and time shall not exceed 260°C for more than 10 seconds.

Maximum ratings and electrical characteristic

- Ratings at 25°C ambient temperature unless otherwise specified
- Single phase, half wave, 60Hz, resistive or inductive load
- For capacitive load, derate current by 20%

Ratings	Symbol	Limits	Units
Maximum repetitive peak reverse voltage	V_{RRM}	40	V
Maximum RMS voltage	V_{RMS}	28	V
Maximum continuous reverse voltage	V_R	40	V
Maximum forward rectified current (Fig. 1)	I_O	1.0	A
Maximum forward surge current (Note 1)	I_{FSM}	30	A
Typical diode junction capacitance (Note 2)	C_J	130	pF
Typical thermal resistance (Junction to ambient)	$R_{\theta JA}$	80	°C/W
Storage temperature range	T_{STG}	-55 to +150	°C
Operating temperature range	T_{OP}	-55 to +125	°C

Electrical characteristics (At TA=25°C unless otherwise noted)

Characteristics	Symbol	Maximum	Units
Forward voltage at $I_F=1.0A$	V_F	0.5	V
Reverse current at $V_R = 40V$	I_R	0.5	mA
Reverse current at $V_R = 40V$ TA=100°C	I_R	10	mA

Note :

1. 8.3ms single half sine-wave superimposed on rate load (JEDEC methode)
2. $f = 1.0MHz$ and applied 4vDC reverse voltage



Schottky Diode (SMD Type)

FIG.1-TYPICAL FORWARD CURRENT DERATING CURVE

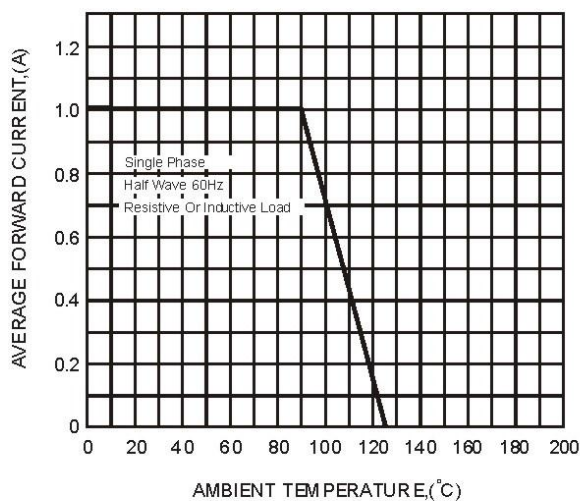


FIG.2-TYPICAL FORWARD CHARACTERISTICS

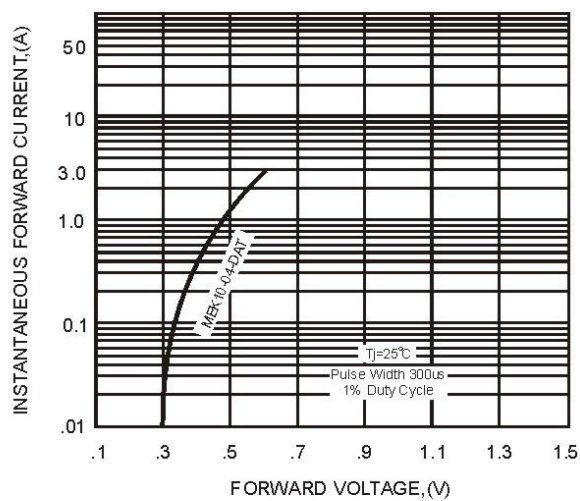


FIG.3-MAXIMUM NON-REPETITIVE FORWARD SURGE CURRENT

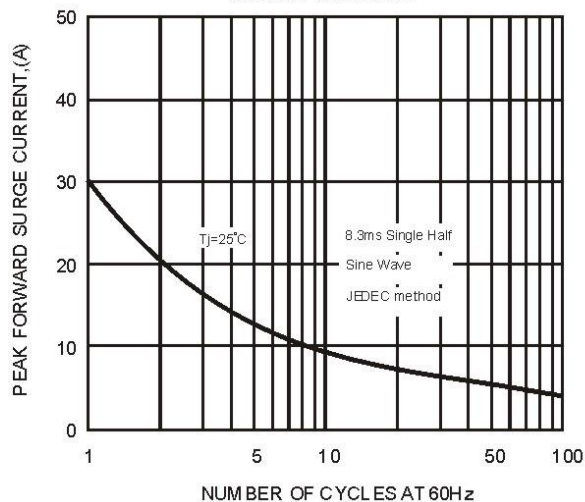


FIG.4-TYPICAL JUNCTION CAPACITANCE

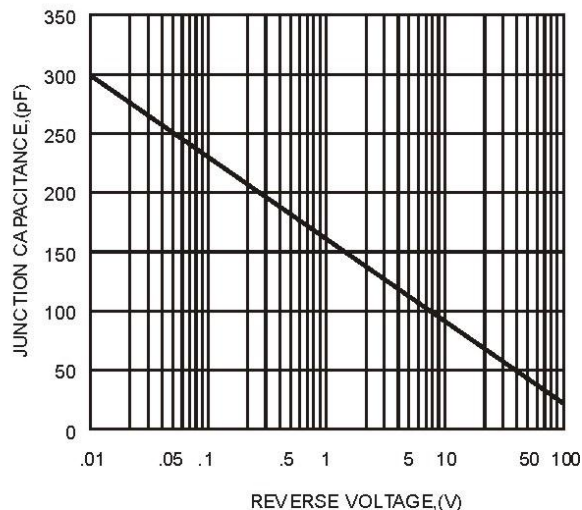
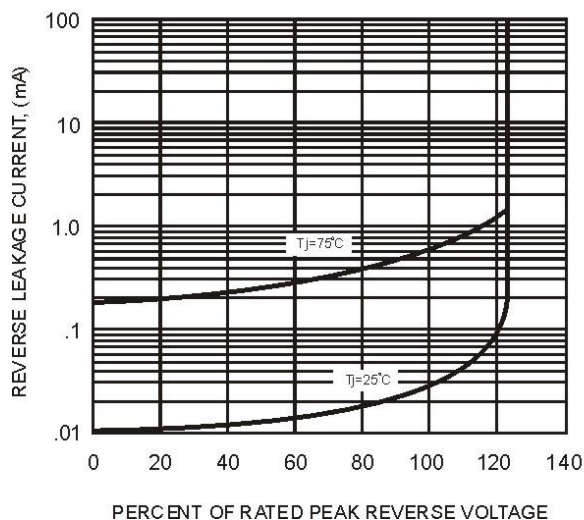
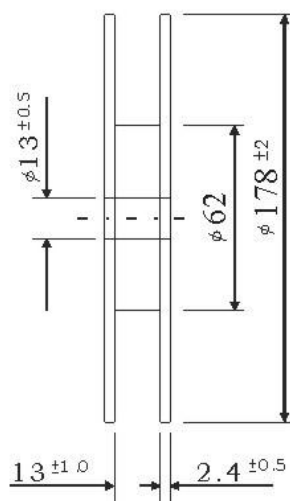
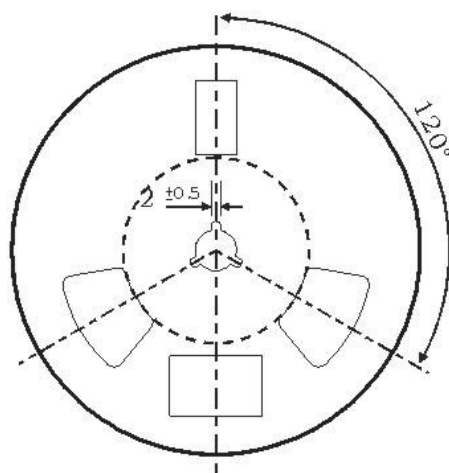
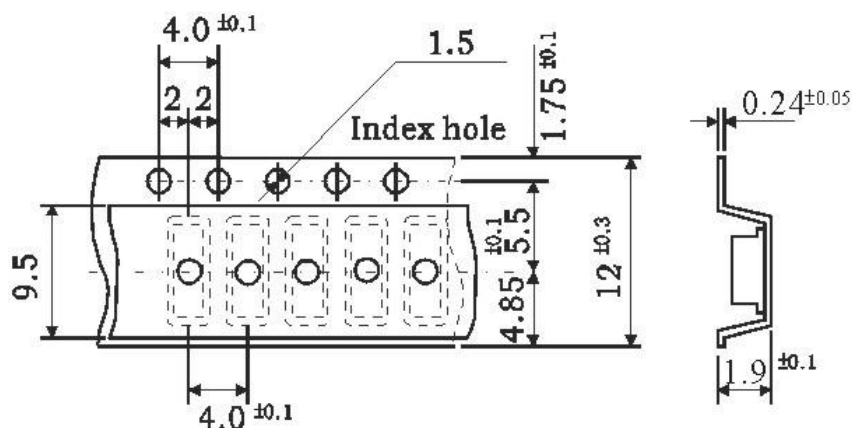


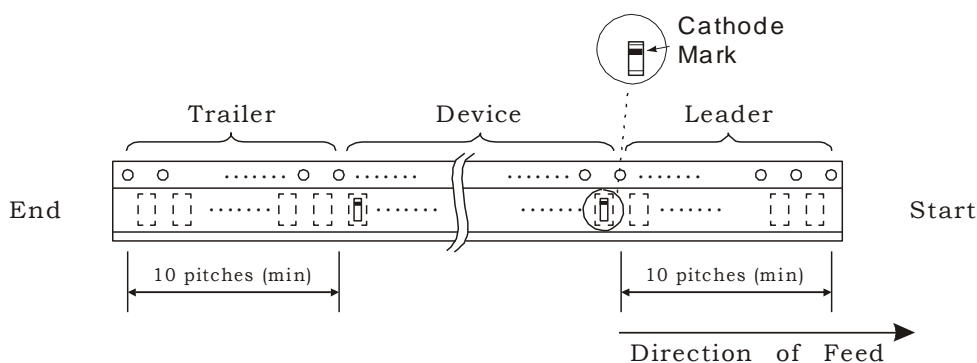
FIG.5 - TYPICAL REVERSE CHARACTERISTICS



Schottky Diode (SMD Type)



Material : Card board



Device Case Type	Q'ty (pcs/reel)	G.W./reel (kg)	Carton Size (cm)	Q'ty (pcs/ctn)	G.W./ctn (kg)
Thin SMA	2,000	0.2	40*40*30	160,000	17.8

DCC
 正式發行